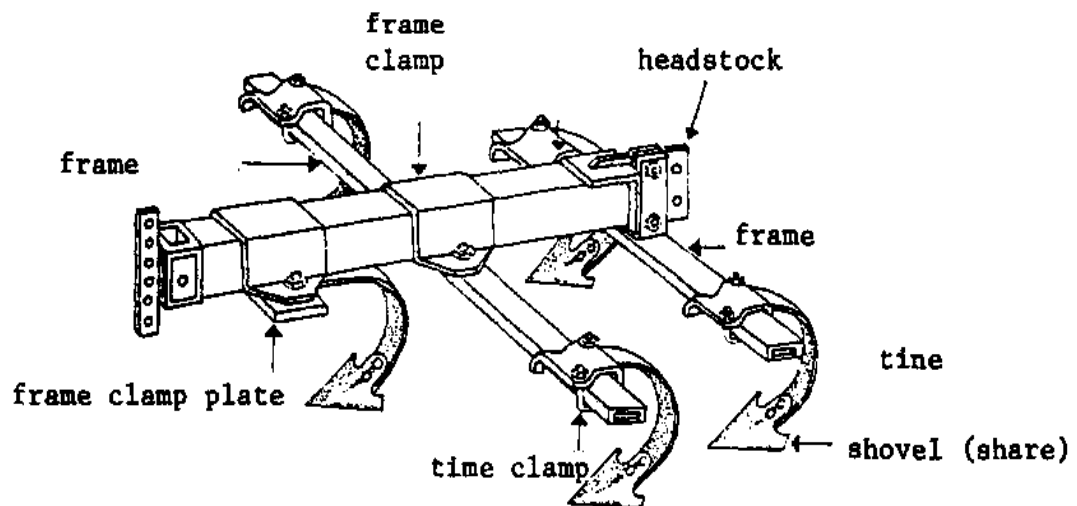


Application Rotary sensor in Cultivator machine

Cultivator, farm implement or machine designed to stir the soil around a crop as it matures to promote growth and destroy weeds. Field cultivators are used to complete tillage operations in many types of arable crop fields.

Principle : The main function of the field cultivator is to prepare a proper seedbed for the crop to be planted into, to bury crop residue in the soil (helping to warm the soil before planting), to control weeds, and to mix and incorporate the soil to ensure the growing crop has enough water and nutrients to grow well during the growing season. The implement has many shanks mounted on the underside of a metal frame, and small narrow rods at the rear of the machine that smooth out the soil surface for easier travel later when planting.

Rotary sensor is used to determine the position of shovel.



Continued on Page 2

